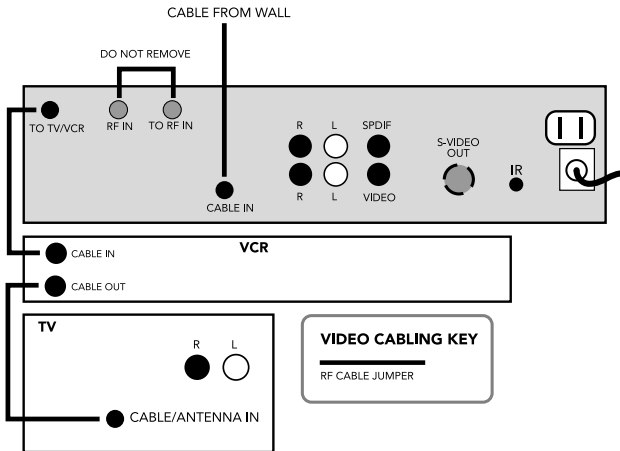


DIGITAL TUNER WITH VCR



Buckeye CableSystem

419.724.9800
419.627.0800 (Erie County)

buckeyecablesystem.com

Tuner Connection and Setup

Allow 15 - 30 minutes after connecting your tuner to set these features.

AUTO TUNE

By setting the auto tune to YES, you are not required to enter 3 or 4 digits, press select, or OK after entering numbers on the remote. Follow these steps to set your AUTO TUNE:

- Press the MENU button on your remote twice.
- Navigate the yellow oval, by pressing the ARROW keys in the center of your remote, to the SETUP option and press the SELECT or OK button.
- Press the SELECT or OK button again on the GUIDE SETUP option.
- Navigate the yellow oval down, by pressing the ARROW button pointing down in the center of your remote, next to the CHANNEL ENTRY BEHAVIOR.
- By pressing the LEFT ARROW button the feature will switch from "auto tune" to "no auto tune."
- Once the AUTO TUNE feature is on, press the exit button. Your auto tune feature is now set.

TIME DISPLAY

Displays the current time on the front of the terminal. To setup your TIME DISPLAY, follow these steps:

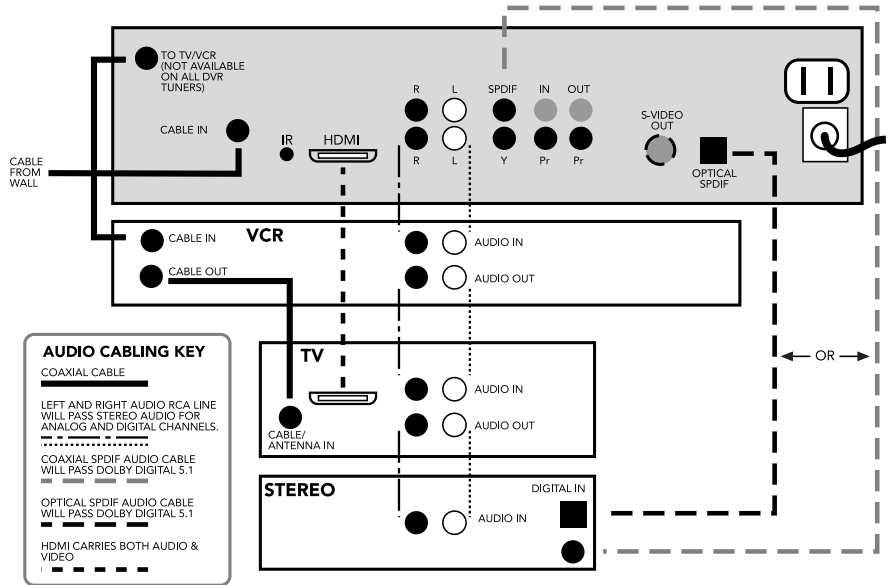
- Press the MENU button on your remote control twice.
- Navigate the yellow oval, by pressing the arrow keys in the center of your remote, to the SETUP option and press the SELECT or OK button.
- Navigate the yellow oval down, by pressing the ARROW button pointing down in the center of your remote, to the CABLE BOX SETUP option and press the SELECT or OK button.
- By pressing the right arrow button the FRONT LED DISPLAY feature will switch from the current channel to the current time.
- Once the TIME is on, press the EXIT button. Your time display feature is now set.

Note: Time display is not available with all converter models

For more information about the interactive guide for your digital cable visit TV Guide's website at www.i-guide.tv.com. For more remote programming information and codes visit www.urcsupport.com.

POSSIBLE HD/DVR TUNER AUDIO CONNECTIONS

Standard issue with the HD converter are the component video and composite audio cables.



POSSIBLE HD/DVR TUNER VIDEO CONNECTIONS

One set of component and composite cables are issued along with the HD Tuner.

The component cable provides HD quality video to the TV from the converter.

The composite cable provides audio to the TV from the Tuner.

Customers have the option to purchase other types of video and audio cables.

RF Output not available on Motorola 6412.

