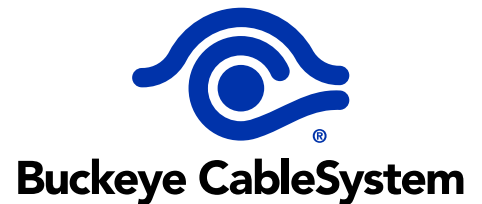


You've got questions?



1. What is a DVR?
2. What is the difference between standard and High-Definition TV?
3. How do I order VOD?
4. How do I connect my cable box to my TV?
5. What connection should I use from the cable box to my TV?
6. How do I program my remote?
7. How do I set-up a series recording using my DVR?
8. How many HD channels does Buckeye Cablesystem offer?
9. How do I set-up Parental Controls?
10. Can I still use my VCR/DVD player with a DVR?

We've got answers!

1. What is a DVR?

Buckeye DVR (digital video recorder) is a new way of experiencing TV! Imagine the convenience of coming home to your own personal library of television programs, movies and sports and the control to watch whenever you want. It's TV for your schedule. Record hours and hours of your favorite programs and view them as many times as you want, whenever you want. Buckeye DVR digitally records, stores, and plays back your favorite programs – so you never have to miss your favorite shows again. Buckeye DVR has made recording and watching your favorite programs easier than ever. Now you have the power to record, pause, fast-forward and rewind your favorite programs and the freedom to watch them at your convenience from your own personal video library stored on your digital set-top box. Plus, Buckeye DVR is one of the first DVR converters available that can actually record and play high-definition programming!

2. What is the difference between standard and High-Definition TV?

The difference between HDTV and standard TV is like night and day. But to fully understand why, you need to understand how. Let's start with one of the biggest, most important differences: Resolution.

Resolution

Television images are divided into horizontal lines. The more lines, the better the picture quality! Regular televisions display a maximum of 480 interlaced lines at a time. HDTV sets, on the other hand, display up to 720-1080 active, viewable lines of resolution. That's a big difference, which is why HDTV displays in such crisp detail.

Scan Modes

How the horizontal lines are redrawn on the TV screen is called scanning mode. Some HDTV systems use interlaced scanning, others use progressive scanning.

Interlaced (denoted with an "i" - 1080i, for example) means the screen shows a picture using two fields with each field redrawn every 60th of a second. One field contains all of the odd lines of the picture, the other field contains all the even lines. Thus, the entire picture is "redrawn" every 30th of a second. As screens get larger, interlaced images flicker more and picture quality can deteriorate.

Progressive (denoted with a "p" - 720p, for example) displays all lines at once, with a single picture "redraw" every 60th of a second, with less flicker, and smoother motion on the screen.

Aspect Ratios

Another way HDTV can differ from standard television programming is called "aspect ratio." Aspect ratio describes the relationship of a screen's width to its height. HDTV uses a widescreen format of 16:9—just like in a movie theater. Which means your HDTV picture captures everything the filmmakers intended. By comparison, NTSC aspect ratio (Standard TV and some Enhanced TV) is 4:3. Widescreen images naturally convey greater visual interest because they more closely mimic our natural field of vision. Widescreen format also creates a panoramic effect for the viewer, conveying more scenery and action.

Aspect Ratio Mismatches

Letterboxing—the black horizontal bars that preserve the original 16:9 aspect ratio when watching a widescreen-formatted movie on a standard 4:3 television.

Pillarboxing, on the other hand, is the term for vertical black bars on either side of a 4:3 program shown on a widescreen 16:9 television screen. Since the majority of television content is 4:3, these bars allow the original program to be seen in its intended format without distortion or stretching.

Widescreen Stretch Modes

Some viewers dislike black bars, no matter what. Plus, since widescreen HDTV manufacturers recognize that most programming remains 4:3, most 16:9 HDTVs are able to stretch 4:3 programs to a full screen

display with no black bars. These programs will appear distorted from their original presentation.

Hybrid Aspect Ratios

DTV-HD broadcasters must transmit 16:9 video, yet not all HD broadcasts contain full 16:9 video. The most common hybrids are 14:9 and 15:9, with thin black bars used to make up the difference. This can be confusing at times, and you may question why your HD-broadcast channel contains black bars.

3. How do I order VOD?

First, tune to CHANNEL 1 with your digital remote to bring up the VOD menu. Then scroll to "Movies" and press "Select" on your remote to go to the category screen. Next scroll and select a category. When you find a title you wish to watch, highlight your choice and press "Select" on your remote to view the description of the show. Highlight the "Buy" or "Watch" and press "Select" on the remote. Your movie will start automatically.

4. How do I connect my cable box to my TV?

See below for cable box type:

DCT 2000/2500 with RF Bypass & VCR

1. Connect the cable line from the wall to the Cable In on the back of the cable box.
2. Connect the CONV IN on the cable box to the OUT (ant out, to TV, etc.) on the VCR.
3. Connect the IN on the VCR (in from ant, cable in, etc.) to the cable box to TV/VCR.
4. Connect the RF OUT on the cable box to the IN on your television set (in from ant, cable in, etc.).

DCT 2000/2500 without RF Bypass, with VCR

1. Connect the cable line from the wall to the RF IN on the back of the cable box.
2. Connect the TO TV/VCR to the IN on the VCR (in from ant, cable in, etc.).
3. Connect the OUT on the VCR (ant out, to TV, etc.) to the IN on the television set (in from ant, cable in, etc.).

DCT 700 with VCR

1. Connect the cable line from the wall to the RF IN on the cable box.
2. Connect the TO TV/VCR on the cable box to the IN on the VCR (in from ant, cable in, etc.).

3. Connect the OUT on the VCR (ant out, to TV, etc.) to the IN on the television set (in from ant, cable in, etc.).

DCT 700 without VCR

1. Connect the cable line from the wall to the RF IN on the cable box.
2. Connect the TO TV/VCR on the cable box to the IN on the television set (in from ant, cable in, etc.).

HD Box using component cables

1. Connect the cable line from the wall to the CABLE IN on the cable box.
2. Connect the component video (set of red, blue, green) and composite audio (red and white) to the matching out ports on the cable box.
3. Connect the other end of component and composite cables to the matching in ports on the television set. Take note of the input name you're connecting to on the back of the television.
4. Tune the television to the input/source to which you're connected.

DVR Box using component cables

1. Connect the cable line from the wall to the CABLE IN/RF IN on the cable box.
2. Connect the component video (set of red, blue, green) and composite audio (red and white) to the matching out ports on the cable box.
3. Connect the other end of component and composite cables to the matching in ports on the television set. Take note of the input name you are connecting to on the back of the television.
4. Tune the television to the input/source to which your connected.

DVR Box using coax

1. Connect the cable line from the wall to the CABLE IN/RF IN on the cable box.
2. Connect the TV/VCR (RF OUT) to the IN on the television set (in from ant, cable in, etc.).

DVR Box and VCR using coax

1. Connect the cable line from the wall to the CABLE IN/RF IN on the cable box.
2. Connect the TV/VCR (RF OUT) to the IN on the VCR (in from ant, cable in, etc.).
3. Connect the OUT on the VCR (ant out, to TV, etc.) to the IN on the television set (in from ant, cable in, etc.).

DVR Box to VCR using A/V (RCA Jacks)

1. Connect the cable line from the wall to the CABLE IN/RF IN on the cable box.
2. Connect the A/V (red, yellow and white) connectors to the OUT ports on the cable box to the A/V IN connectors on the VCR.

3. Connect the OUT on the VCR (ant out, to TV, etc.) to the IN on the television set (in from ant, cable in, etc.).

DVR Box to TV using A/V (RCA Jacks)

1. Connect the cable line from the wall to the CABLE IN/RF IN on the cable box.
2. Connect the A/V (red, yellow and white) connectors to the OUT ports on the cable box to the A/V IN connectors on the TV.

5. What connection should I use from the cable box to my TV?

There are multiple choices for connecting either video or audio to your television and/or home audio system. Below are the connection types listed from highest quality to lowest quality possible.



HDMI Connection

A more evolved version of DVI, HDMI (High-Definition Multimedia Interface) adds digital audio transmission to provide a convenient, one-cable solution to digital A/V connectivity. It offers significantly greater bandwidth than DVI, enabling it to transmit higher-definition uncompressed digital video signals, and establishes a platform for the transfer of future as well as current display formats. And it does all this using a single cable, with a smaller, sleeker connector than DVI. Unlike DVI, all HDMI connections are equipped with the High Definition Content Protection (HDCP) protocol, enabling them to pass copy-protected digital broadcast content.



Component Video Connection

Though inferior to the digital connections listed above, component video is superior to both S-video and composite video because it provides improved color purity, superior color detail, and a reduction in color noise and NTSC artifacts. The 3-plug video output of a DVD player sends/receives the luminance (Y) and 2-color signals, each on a separate colored RCA cable.



S-Video Connection

S-video connection is much better than a composite video connection, but it is not as good as component video. This higher quality video input/output segregates chrominance (color) and luminance (light) signals for excellent reproduction from high-quality video sources such as S-VHS, Hi8 and DVD players.



Composite Video Connection

A composite video connection is a direct video connection using an RCA-type plug and jack; it's superior to the RF type of connection but inferior to S-video and component video.



Coaxial Digital Connection

Making a digital connection (optical or coaxial) between your receiver and DVD player or CD player is a great option. A digital stream sends unprocessed sound information to your receiver (which, as a general rule, has a better digital-to-analog signal processor than a DVD or CD player) to be decoded and amplified. (In the case of SACD or DVD-Audio players, a 5.1-channel analog connection is necessary.) A coaxial digital connection sends signals electrically, as opposed to optically. This is not to be confused with an RF cable, which is sometimes called coaxial.



Optical Digital Audio Connection

Making a digital connection (optical or coaxial) between your receiver and DVD player or CD player is a great option. A digital stream sends unprocessed sound information to your receiver (which, as a general rule, has a better digital-to-analog signal processor than a DVD or CD player) to be decoded and amplified. (In the case of SACD or DVD-Audio players, a 5.1-channel analog connection is necessary.) An optical digital connection sends signals in the form of light, as opposed to electrically. Optical cables have the advantage of being immune to EM and RF interference.



Stereo Audio Connection

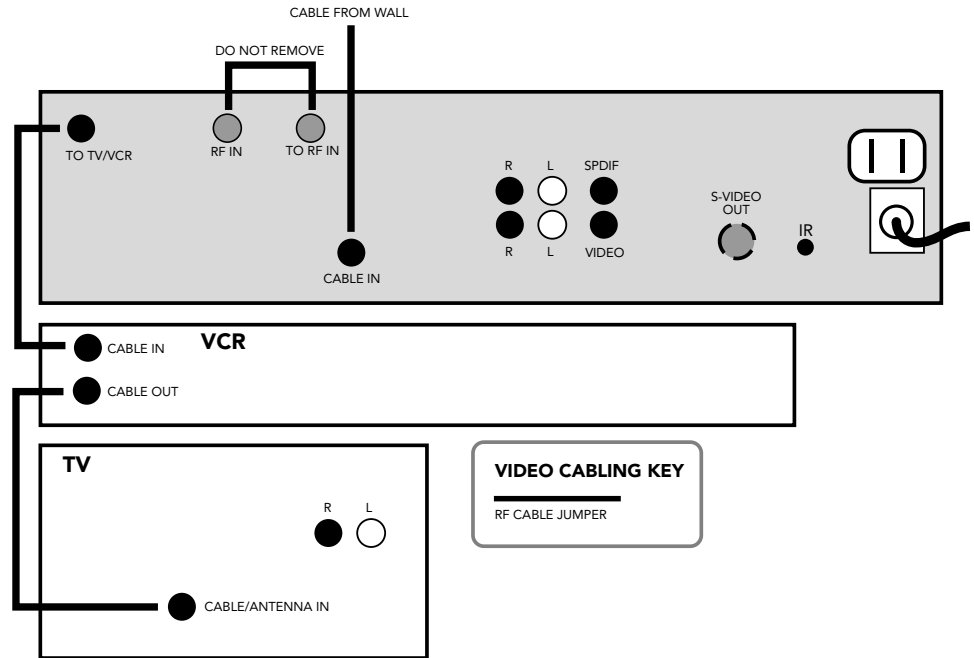
Stereo audio cables provide basic 2-channel audio connectivity between your VCR, CD player or DVD player and your home theater receiver (or the audio inputs on your stereo TV, in the case of your DVD player or VCR, if you don't have a receiver). They provide a better signal transfer than coaxial RF A/V connections, but a digital connection is vastly superior.



Coaxial RF Connection

Coaxial RF cable connects your cable box or digital satellite box to your TV. It can also be used to connect a VCR to your TV (but A/V cables are preferable). If your TV only has coaxial RF inputs, you can use a video switcher and RF modulator to hook up advanced sources like DVD players or home gaming systems (but picture and sound quality is not nearly as good as with A/V, S-video or component video connections).

DIGITAL TUNER WITH VCR



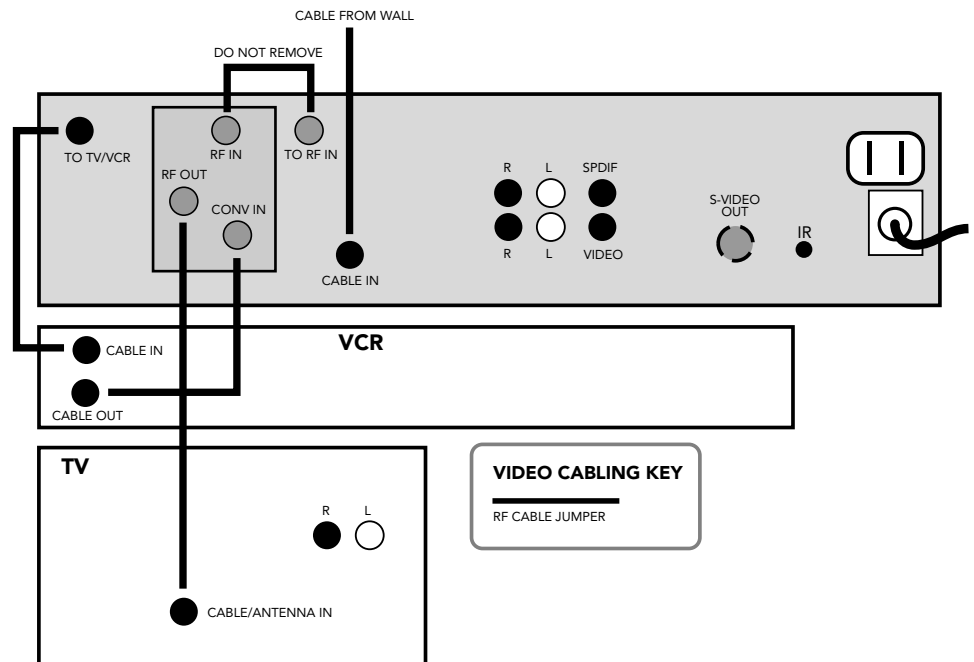
DIGITAL TUNER RF BYPASS

The RF Bypass setup is available only on converters with RF Bypass connections.

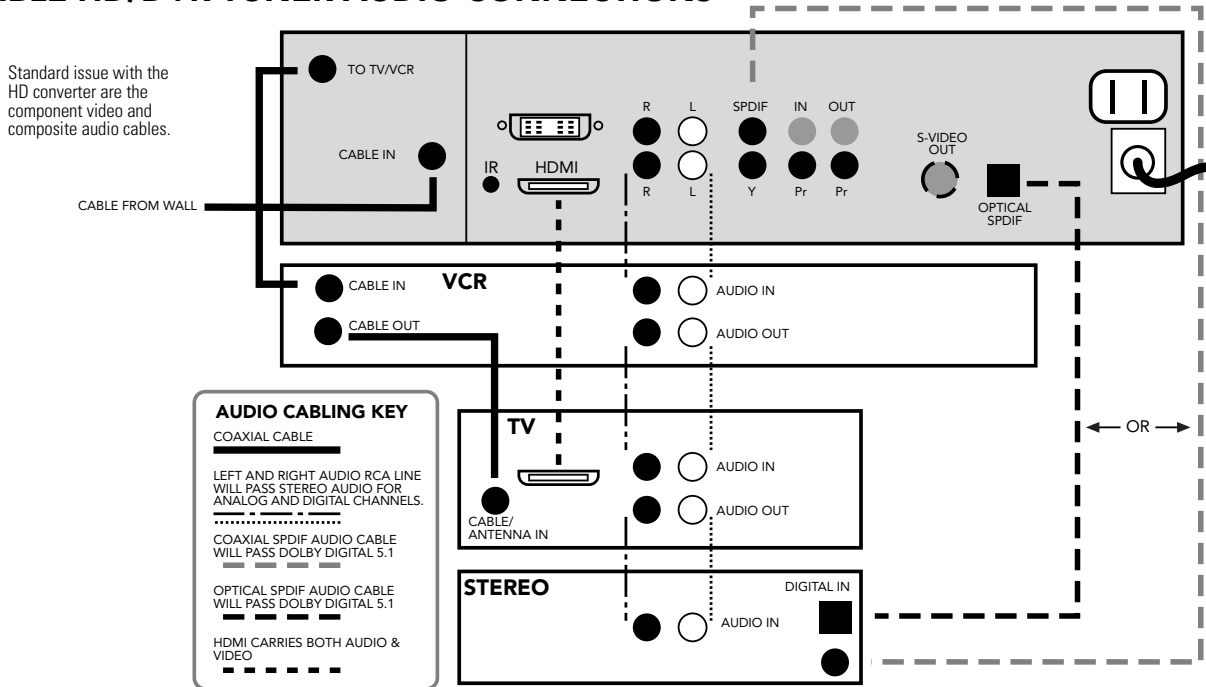
Standard issue with the Digital Tuner are three RF cable jumpers with the RF bypass attachment and two without the RF Bypass attachment.

Customers have the option to purchase other types of video and audio cables.

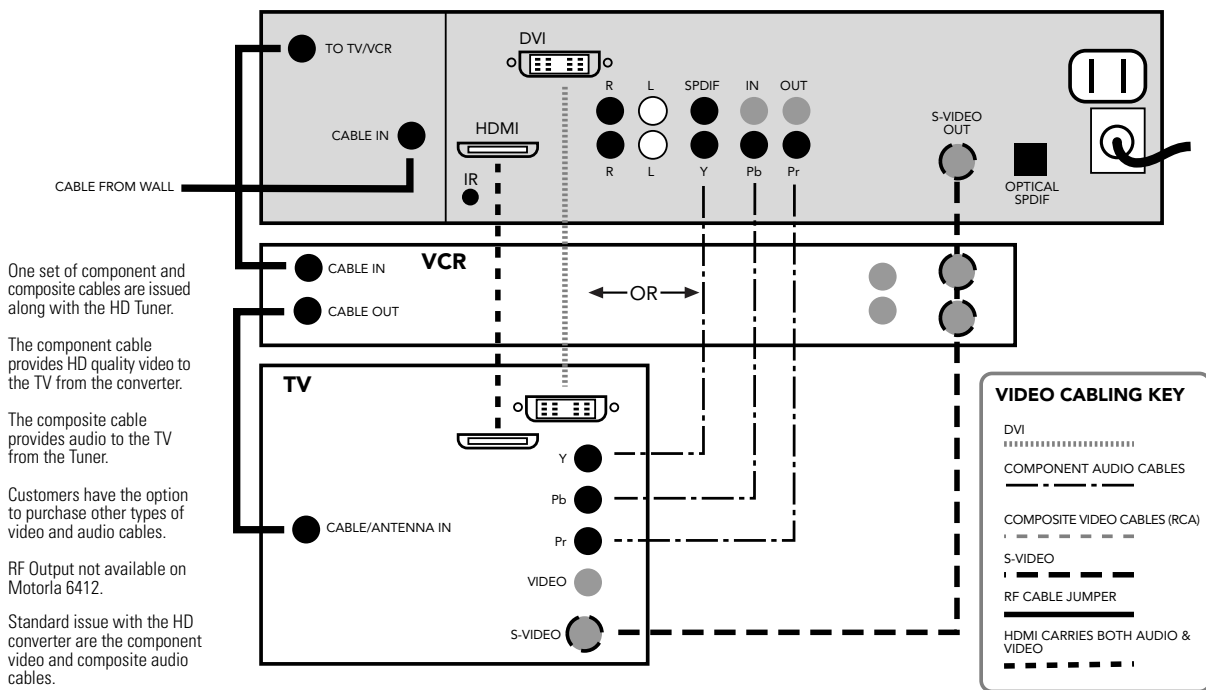
DCT 700 outputs are limited to RF in, left and right audio and video.



POSSIBLE HD/DVR TUNER AUDIO CONNECTIONS



POSSIBLE HD/DVR TUNER VIDEO CONNECTIONS



6. How do I program my remote?

Visit <http://www.urcsupport.com> for easy-to-follow instructions on how to program your digital remote. All you need is the model number located on the remote.

7. How do I setup a series recording using my DVR?

Buckeye DVR lets you record multiple episodes of a program according to your preferences. You can set the DVR to record only new (first run) episodes, first run episodes and repeats, or all episodes. After selecting a program, choose info on the remote, highlight and select record on the screen. Then choose the "create a series recording" icon to view series recording options. Options include:


- Type to record, such as first run only, first run and repeats, or all episodes.
- How many recordings to save.
- How long to save the recording – until you erase it or until space is needed. To access advanced series setup features like adding minutes to the start and end times and specifying which channels to record, select the Setup icon to review all options. Your series recordings will appear in your MY RECORDINGS list with the show title as its label. Multiple recordings of the same show will have the same label and will be listed beginning with the most recent recordings first as default. To change your view, use the (arrow left/right) buttons on your remote to VIEW BY DATE, VIEW BY CHANNEL or VIEW BY TITLE.

8. How many HD channels does Buckeye CableSystem offer?

Visit <http://buckeyecablesystem.com/hi-def> for a complete, updated list of our HD channels.

9. How do I set-up Parental Controls?

Select "MENU" on the remote control.

Scroll to the main menu option . Then scroll to select "SETUP" from the menu choices. Select "LOCKS SETUP" from the setup choices.

Scroll down to select "PARENTAL CONTROL" from the menu choices.

At this time you may be prompted to enter a 4-digit parental code if you haven't already created one. (Note: the purchase code and parental code should be the same code.)

Enter your 4-digit code in the capsule where it says "PLEASE ENTER YOUR 4-DIGIT LOCKS PIN." You may block programming by rating through MOVIE RATING LOCKS, TV RATING LOCKS, ADULT TITLES and CHANNEL NUMBERS. Navigate through the rating options by using your directional pad and pressing "OK/SELECT" to lock or unlock programs by **rating**. Navigate through the channel numbers by using your directional keypad and press "OK/SELECT" to lock a specific **channel**.

Hit the "EXIT" button on your remote to return to normal TV viewing.

RESULT: You will be prompted to enter your parental/purchase code before confirming a blocked program, channel, pay per view or VOD purchase. If you have problems setting your parental control, please call for assistance.

10. Can I still use my VCR/DVD player with a DVR?

Yes, you can. A VCR/DVD combo hooks up to the DVR box just like a regular VCR.

DVR Box and VCR using coax

1. Connect the cable line from the wall to the CABLE IN/RF IN on the cable box.
2. Connect the TV/VCR (RF OUT) to the IN on the VCR (in from ant, cable in, etc.).
3. Connect the OUT on the VCR (ant out, to tv, etc.) to the IN on the television set (in from ant, cable in, etc.).

DVR Box to VCR using A/V (RCA Jacks)

1. Connect the cable line from the wall to the CABLE IN/RF IN on the cable box.
2. Connect the A/V (red, yellow and white) connectors to the OUT ports on the cable box to the A/V IN connectors on the VCR.
3. Connect the OUT on the VCR (ant out, to tv, etc.) to the IN on the television set (in from ant, cable in, etc.).



Buckeye CableSystem

NW Ohio: 419-724-9800
SE Michigan: 1-800-866-3260
Erie County: 419-627-0800